

(1) SMR Code	(2) Federal Stock Number	(3) DESCRIPTION	(4) UNIT	(5) Qty	(6) 30-day DS maint	(7) 30-day GS maint	(8) 1-yr	(9) Depot	(10) Illustration	of inc. allowance	allowance	alw	maint	(a)	(b)
										meas in Unit		per equip	alw	100	per
														Figure	Item
														No.	No.
					(a)	(b)	(c)	(a)	(b)	(c)	gcy				
		Reference Number & Mfr. Code													
		Usable On Code													
		0801-POWER TRANSFER AND FINAL DRIVE ASSEMBLIES-CONTINUED													
P-F	2520-176-8384	COVER,SHIFT CYLINDER: 8758298 (19207)	A	EA	1	*	*	*	*	*	*	3	5	55	14
P-F	5310-145-2085	WASHER,KEY: CYLINDER SHIFT COVER 8327009 (19207)	A	EA	4	*	*	*	*	*	*	6	10	55	15
P-F	5305-071-2231	SCREW CAP HEXAGON: CYLINDER SHIFT COVER MS90725-20 (96906)	A	EA	4	*	*	*	*	*	*	6	10	55	16
X1		NUT,PLAIN: SHAFT 503356 (21450)	A		1									55	17
X1		WASHER: SHAFT 446212 (31007)	A		1									55	18
P-F	5330-286-6815	SEAL PLAIN ENCASED: HIGH AND LOW RANGE SHIFTER SHAFT 500021 (21450)	A	EA	1	*	*	*	*	*	*	10	100	55	19
P-F	2520-591-5827	SHAFT, GEAR SHIFT FORK: 7998650 (19207)	A	EA	1	*	*	*	*	*	*	8	10	55	20
X2-F		BALL,DETENT: GEAR SHIFT FORK SHAFT 104291 (21450)	A	EA	1	*	*	*	*	*	*			55	21
P-F	5315-276-7703	PIN,STRAIGHT,HEADED: HIGH AND LOW RANGE SHIFTER SHAFT, DETENT BALL 5143782 (19207)	A	EA	1	*	*	*	*	*	*	6	10	55	22
P-F	2520-692-6085	SPRING,HELICAL COMPRESSION: HIGH AND LOW RANGE SHIFTER SHAFT DETENT BALL 7521387 (19207)	A	EA	1	*	*	*	*	*	*	6	10	55	23
P-F	5305-695-7174	SETScrew: TRANSFER INPUT AND OUTPUT SHIFTER SHAFTS 7521390 (19207)	A	EA	1	*	*	*	*	*	*	6	10	55	24
P-F	2520-953-9908	SHIFTER,FORK: HIGH AND LOW RANGE 7748586 (19207)	A	EA	1	*	*	*	*	*	*	8	10	55	25
P-F	5305-752-1391	SETScrew: TRANSFER INPUT AND OUTPUT SHIFTER SHAFTS 7521391 (19207)	A	EA	1	*	*	*	*	*	*	6	10	55	26
P-F	5315-059-0184	PIN,COTTER: SHAFT MS24665-361 (96906)	A	EA	1	*	*	*	*	*	*	8	10	56	1
P-F	5310-492-9631	NUT,SLOTTED,HEXAGON: 5143813 (76040)	A	EA	1	*	*	*	*	*	*	6	10	56	2
P-F	5310-188-4195	WASHER,FLAT: OUTPUT, SHAFT 15235 (76894)	A	EA	1	*	*	*	*	*	*	6	10	56	3

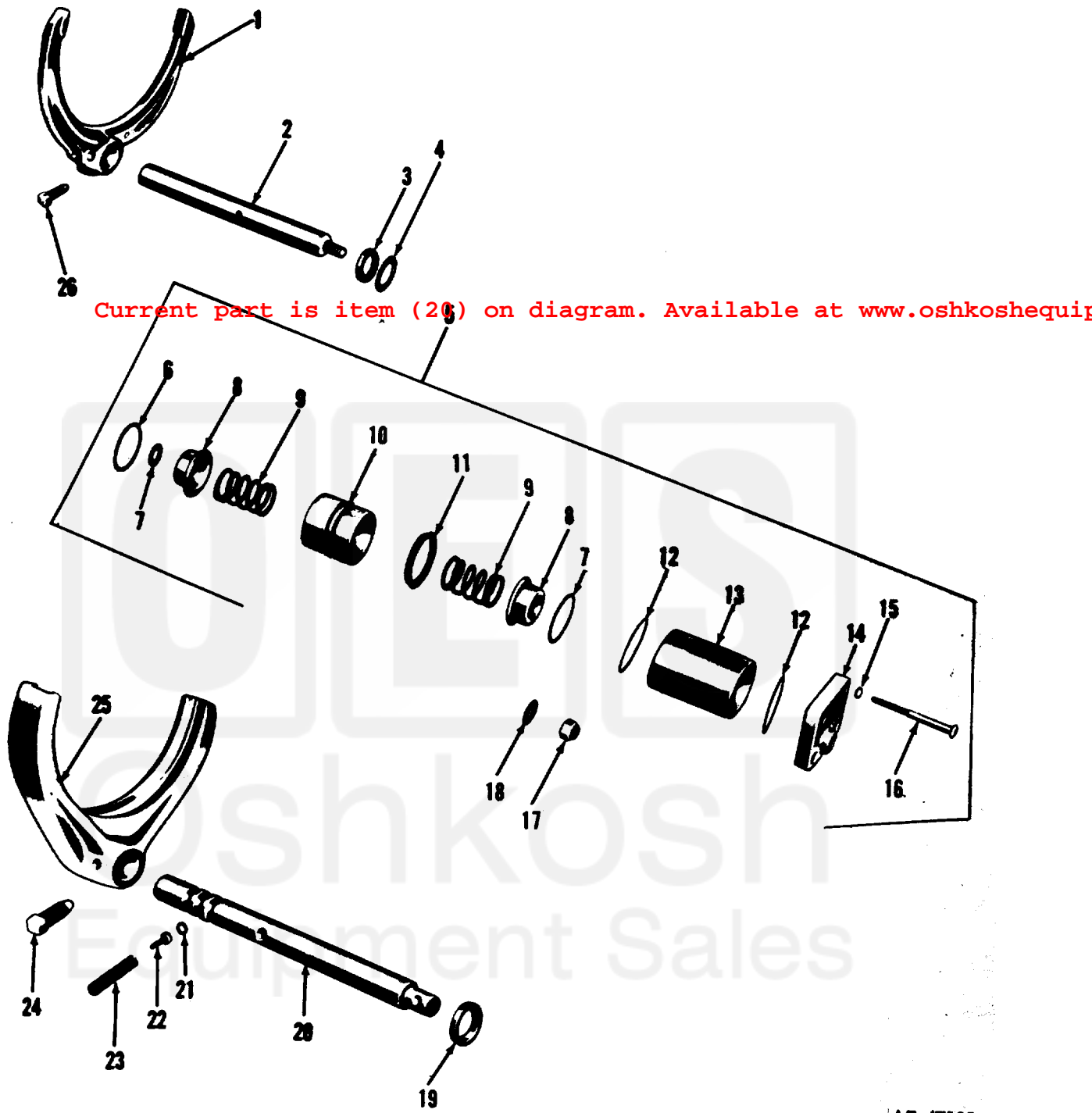


Figure 55. Input and output shifter shafts.

AT 47195